



Floor Box P

Product Description

The NETSYSTEM Floor Box P is meant to accommodate 4 power outputs and direct access for data or multimedia cables. This unit offers a space efficient solution with aesthetically pleasing design to distribute power, data and multimedia services in the floor where cable trunking is mounted in the screed floor. Floor Box P requires a built-in depth of only 45mm which makes them the slimmest in the market. This Floor Box P is ideal to service 4 to 8 workstations with the necessary power and data or multimedia infrastructure.

Product Specification

- 4 Wieland GST18/3 connectors with 6 screw terminals each
- Options for RAW and UPS power
- Direct access for data or multimedia cables
- Access for cable glands of 20mm and 25mm
- Low installation depth of 45mm
- Termination options for HDMI, USB etc are available upon request
- Lid with a special locking device
- Flaps fitted with foam which allow cables to run through them
- Individual height adjustable screws to level the frame with the floor
- IP30 rated in accordance with BS EN 60529
- All plastic materials used are fire retardant

Application Range

- Screed flooring

Technical Details

- Rated for 110V to 250V to a maximum of 20A according to country specific standards
- Material: ABS and PA6 in V0 specification (self-extinguishing according to UL94)
Galvanised sheet metal
- Wiring: 3 x 1.5mm² or 3 x 2.5mm²

Please follow local standards for electrical installation.



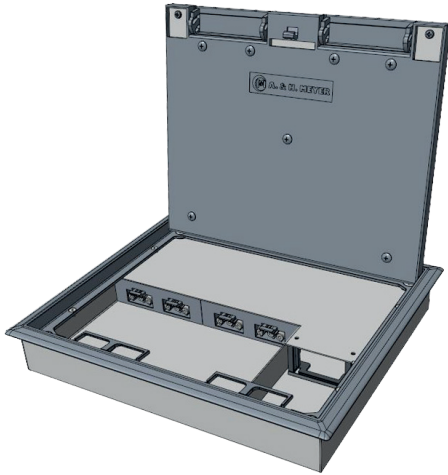
A. & H. Meyer GmbH
Leuchten und Büroelektrik

Fermke 8
32694 Dörentrup
Germany

T: +49 5265 9488 0
F: +49 5265 9488 11
www.ah-meyer.de

A. & H. Meyer Sdn Bhd
(528797-M)
No. 3, Jalan Astaka U8/84
Section U8, Bukit Jelutong
40150 Shah Alam, Selangor
Malaysia

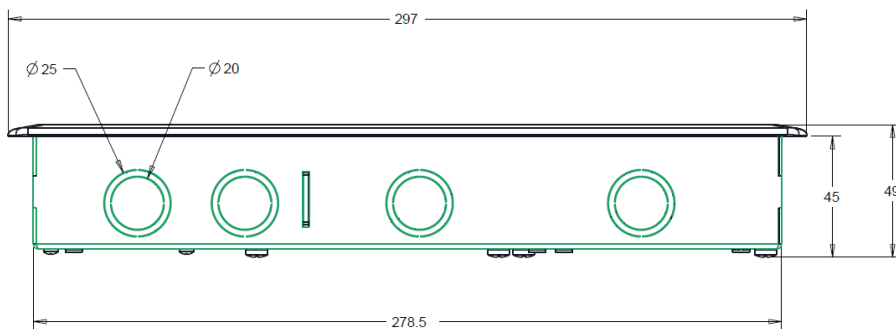
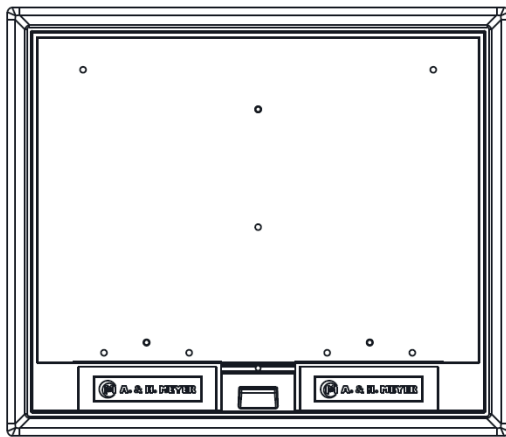
T: +603 7845 7277
F: +603 7845 2155
sales@ah-meyer.com.my



Floor Box P

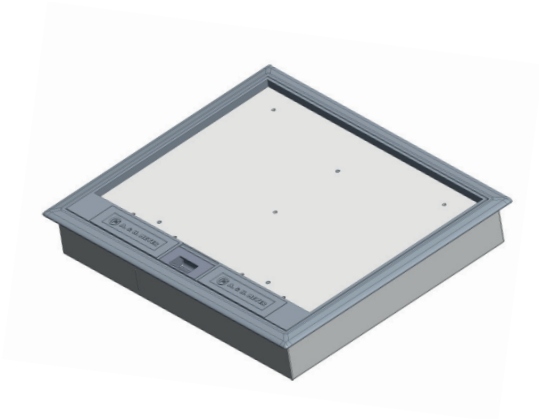
- 4 Wieland GST18/3 connectors with 6 screw terminals each
- Options for RAW and UPS power
- Direct access for data or multimedia cables
- Access for cable glands of 20mm and 25mm

Dimensions

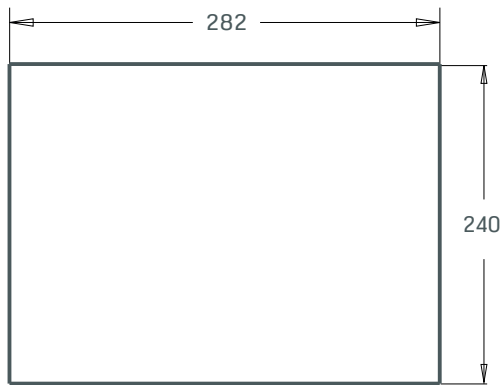
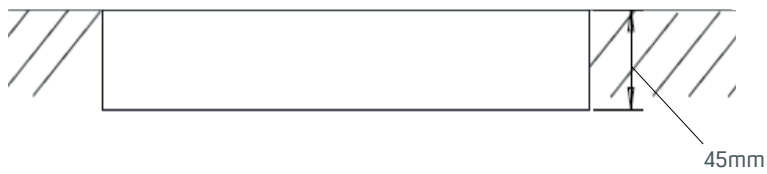




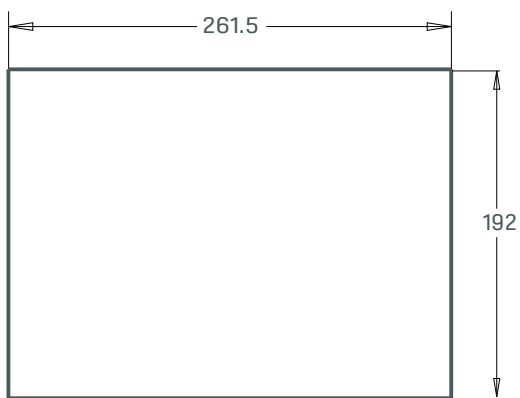
Floor Box P



Screeding Dimension



Flooring Material Cutting Size



Flooring material thickness

