



## NETBOX Line

### Product Description

NETBOX Line is a built-in unit with open access to power, data and multimedia modules.

### Product Specification

- Sleek design
- Customizable into various configurations
- Quick installation with click-stop mechanism
- Can be interconnected using starter or connector cable
- Unit is slightly elevated from tabletop surface to protect against liquid spillage
- Plug & Play technology

Can be combined with features:

- Monitor Arm (requires a bracket underneath)
- Lapguard
- Grommet hole

### Application Range

- Conference Tables
- Boardroom Tables
- Meeting Tables
- Hotel Rooms
- Executive Desks

### Technical Details

- Rated for 110V to 250V and a maximum of 20A according to country specific standards
- Material: ABS and PA6 in V0 specification (self-extinguishing according to UL94)
- Low concentration of heavy metal
- Aluminium casing is safely grounded to avoid electrocution
- Available in various lengths
- Tool-free installation
- Wiring: 3 x 1.5mm<sup>2</sup> standard; 3 x 2.5mm<sup>2</sup> upon request

Please follow local standards for electrical installation.

**A. & H. Meyer GmbH**  
Leuchten und Büroelektrik

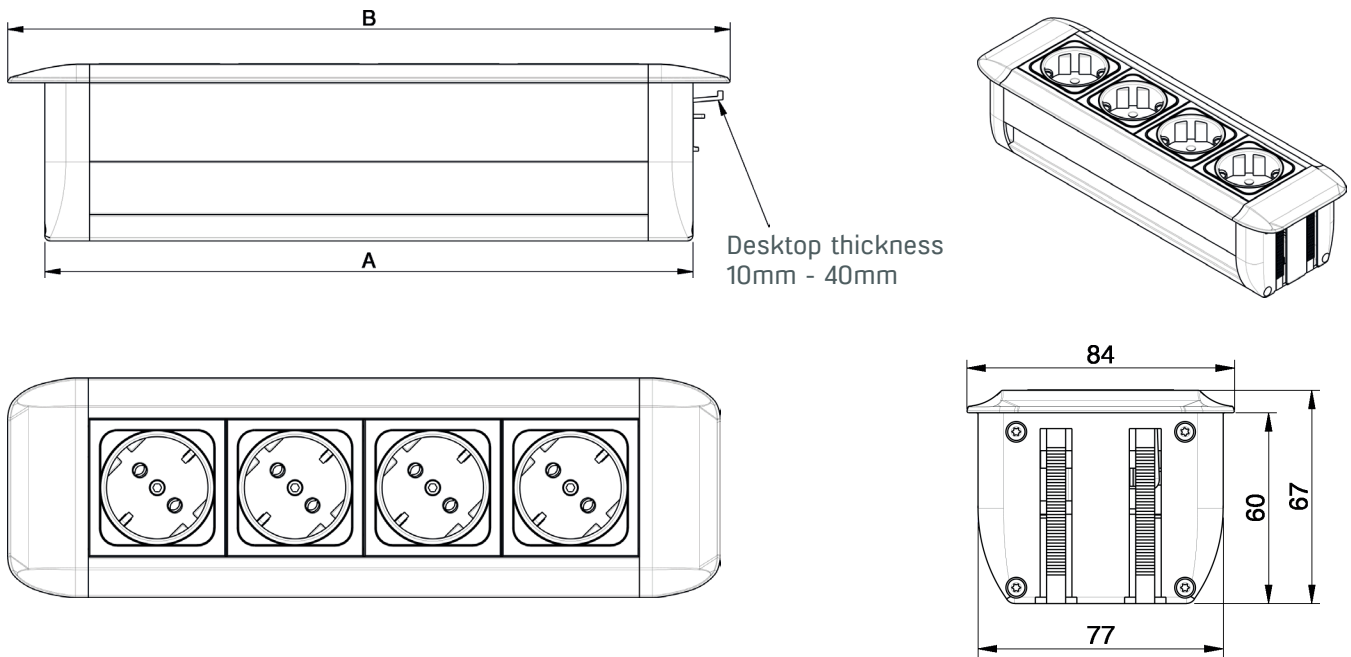
Fermke 8  
32694 Dörentrup  
Germany

T: +49 5265 9488 0  
F: +49 5265 9488 11  
www.ah-meyer.de

**A. & H. Meyer Sdn Bhd**  
(528797-M)  
No. 3, Jalan Astaka U8/84  
Section U8, Bukit Jelutong  
40150 Shah Alam, Selangor  
Malaysia

T: +603 7845 7277  
F: +603 7845 2155  
sales@ah-meyer.com.my

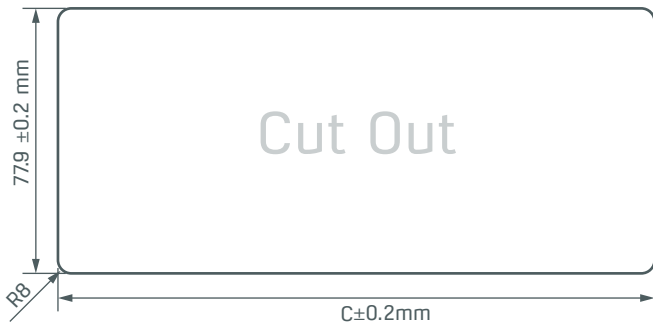
### Dimensions



M	2	3	4	5	6	7	8	9	10
A	140	193	246	299	352	405	458	511	564
B	168.2	221.2	274.2	327.2	380.2	433.2	486.2	539.2	592.2
C	140.9	193.9	246.9	299.9	352.9	405.9	458.9	511.9	564.9

M = Number of Outlet Modules  
 A = Installation Length  
 B = Total Profile Length  
 C = Total Length of Cut Out  
 \*all measurements are in mm

### Cut Out



### Standards and Approvals

Country	Malaysia	Singapore Hong Kong	India	China	Australia New Zealand	Japan	GCC Countries	Indonesia	Korea
Approvals / Test Institute									