



NETBOX Rail

■ Product Description

NETBOX Rail is a built in power, data and multimedia unit in aluminum finish for thin panel systems.

■ Product Specification

- Sleek contemporary profile with aluminum finish
- Suitable for surface mounting on panels and partitions
- Customisable unit with various configurations
- Unit available in any length
- Installation by fastening 4 plastic screws from behind
- Suitable for panels with minimum thickness of 30mm
- Plug & Play technology

■ Application Range

- Workstations
- Panel Systems
- Home Office
- Shelf Systems

■ Technical Details

- Rated for 110V to 250V and a maximum of 20A according to country specific standards
- Low concentration of heavy metal
- Material: PA-FR (self-extinguishing according to UL94)
- Wiring: 3 x 1.5mm² standard; 3 x 2.5mm² upon request

Please follow local standards for electrical installation.

A. & H. Meyer GmbH
Leuchten und Büroelektrik

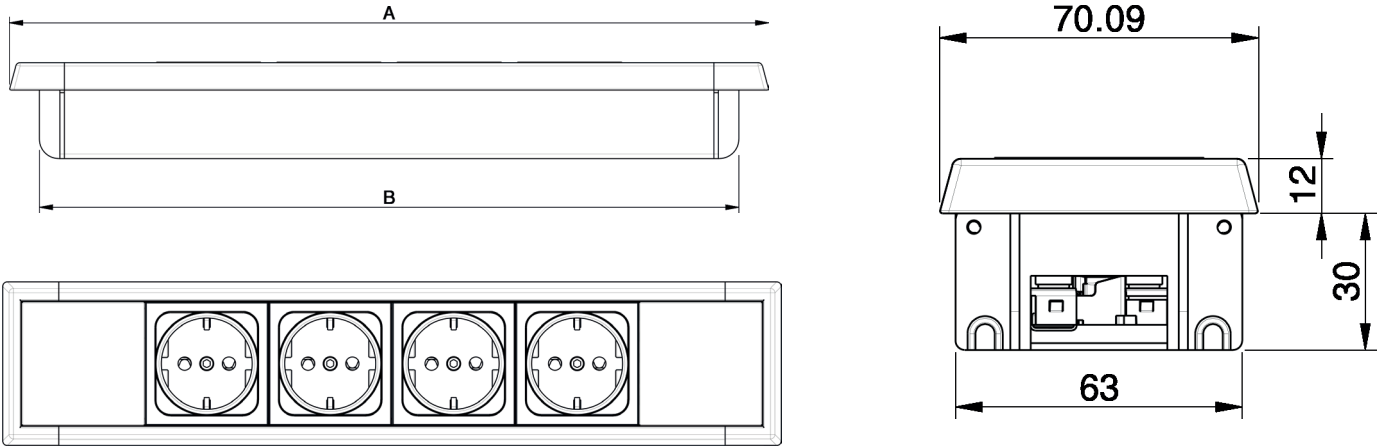
Fermke 8
32694 Dörentrup
Germany

T: +49 5265 9488 0
F: +49 5265 9488 11
www.ah-meyer.de

A. & H. Meyer Sdn Bhd
(528797-M)
No. 3, Jalan Astaka U8/84
Section U8, Bukit Jelutong
40150 Shah Alam, Selangor
Malaysia

T: +603 7845 7277
E: my-mey-dl-sales@legrand.com
W: www.ah-meyer.com.my

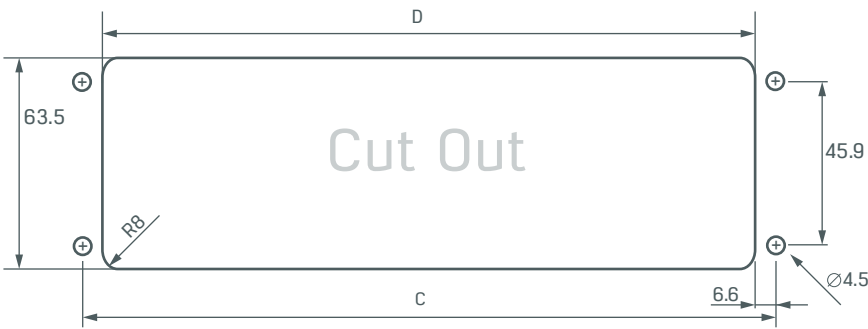
Dimensions



M	2	3	4	5	6	7	8	9	10
A	228	281	334	387	440	493	546	599	652
B	202	255	308	361	414	467	520	573	626

M = Number of Module Outlets
A = Total Length
B = Total Profile Length

Cut-Out



M	2	3	4	5	6	7	8	9	10
C	215.7	268.7	321.7	374.7	427.7	480.7	533.7	586.7	639.7
D	202.5	255.5	308.5	361.5	414.5	467.5	520.5	573.5	626.5

M = Number of modules
C = Distance of Screw Fastening Point
D = Length of Cut Out

Standards and Approvals

Country	Malaysia	Singapore Hong Kong	India	China	Australia New Zealand	Japan	GCC Countries	Indonesia	Korea
Approvals / Test Institute									