



NETBOX Smart

■ Product Description

NETBOX Smart is a detachable desktop mounted power & data unit in aluminium finish.

■ Product Specification

- Highly flexible and easy to relocate
- Power strips allow unit to be installed anywhere on table-top surface
- Optional: Installation with mounting clamp
- Customizable into various configurations
- Direct access to power and data modules
- Available in various lengths
- Tool-free installation
- Comes with built-in starter or connector cable in varying length
- Plug & Play technology

■ Application Range

- Executive Desks
- Workstations
- Training tables
- Hotel Rooms
- Home Offices

■ Colours

- Silver/White
- Silver/Black
- Champagne/White
- Champagne/Black

■ Technical Details

- Rated for 110V to 250V and a maximum of 20A according to country specific standards
- Material: ABS and PA6 in V0 specification (self-extinguishing according to UL94)
- Low concentration of heavy metal
- Aluminium casing is safely grounded to avoid electrocution
- Wiring: 3 x 1.5mm² standard; 3 x 2.5mm² upon request

Please follow local standards for electrical installation.



A. & H. Meyer GmbH
Leuchten und Büroelektrik

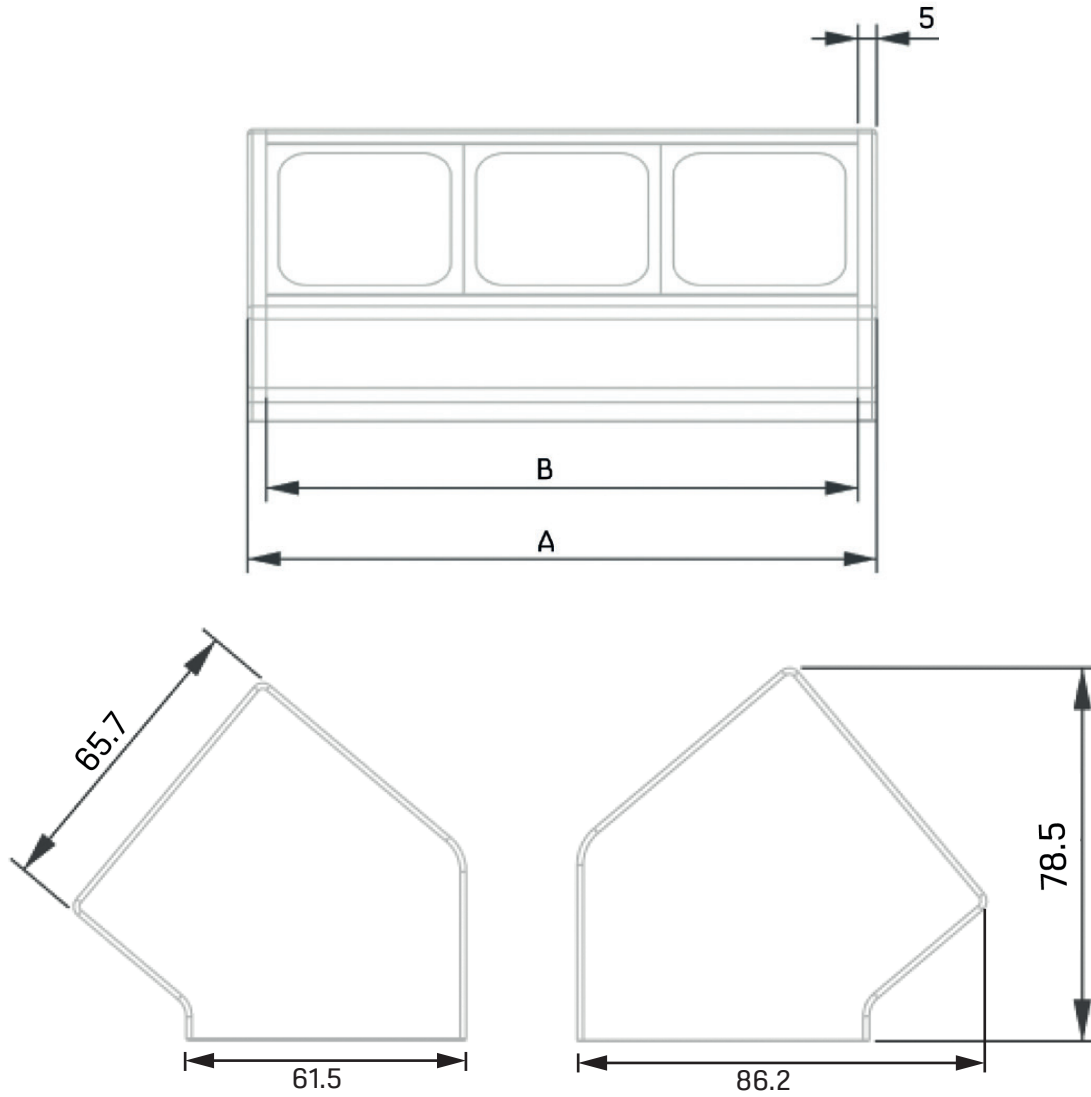
Fermke 8
32694 Dörentrup
Germany

T: +49 5265 9488 0
F: +49 5265 9488 11
www.ah-meyer.de

A. & H. Meyer Sdn Bhd
(528797-M)
No. 3, Jalan Astaka U8/84
Section U8, Bukit Jelutong
40150 Shah Alam, Selangor
Malaysia

T: +603 7845 7277
F: +603 7845 2155
sales@ah-meyer.com.my

Dimensions



M	2	3	4	5	6	7	8	9	10
A	116	169	222	275	328	381	434	487	540
B	106	159	212	265	318	371	424	477	530

M = Number of Outlet Module
A = Total Length
B = Total Length of Profile

Standards and Approvals

Country	Malaysia	Singapore Hong Kong	India	China	Australia New Zealand	Japan	GCC Countries	Indonesia
Approvals / Test Institute								