



NETBOX Axial NEW

Product Description

NETBOX Axial is a built-in power and data unit in an aluminium finish which closes flat against the mounted surface. The new version features a sleeker design with neat end caps. The unit does not protrude further below the end caps once opened and fits the previous cut-out size.

Product Specification

- Unit opens at 60° angle
- Cable outlet with rubber lips
- Unit sits flush with mounted surface
- Available in any length
- Customizable into various configurations
- Tool free installation
- Quick installation with the click-stop mechanism
- Plug & Play technology

Application Range

- Executive Desks
- Workstations
- Conference Tables
- Boardroom Tables
- Meeting Tables

Technical Details

- Rated for 110V to 250V and a maximum of 20A according to country specific standards
- Low concentration of heavy metal
- Material: PA6-FR
- Wiring: 3 x 1.5mm² standard; 3 x 2.5mm² upon request

Please follow local standards for electrical installation.

A. & H. Meyer GmbH
Leuchten und Büroelektrik

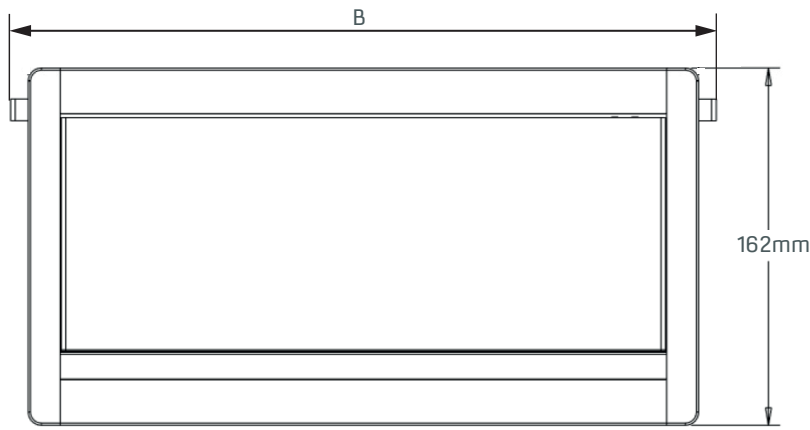
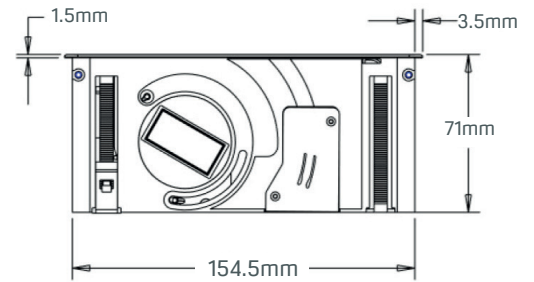
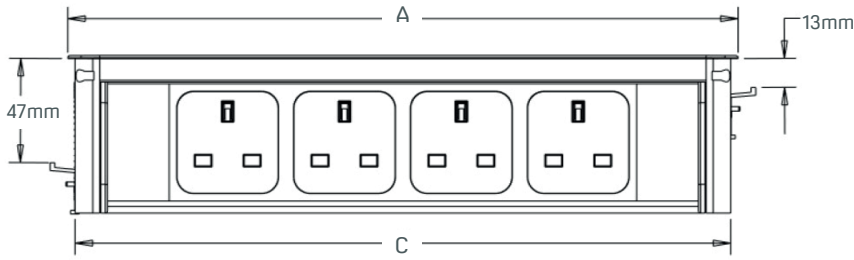
Fermke 8
32694 Dörentrup
Germany

T: +49 5265 9488 0
F: +49 5265 9488 11
www.ah-meyer.de

A. & H. Meyer Sdn Bhd
(528797-M)
No. 3, Jalan Astaka U8/84
Section U8, Bukit Jelutong
40150 Shah Alam, Selangor
Malaysia

T: +603 7845 7277
F: +603 7845 2155
sales@ah-meyer.com.my

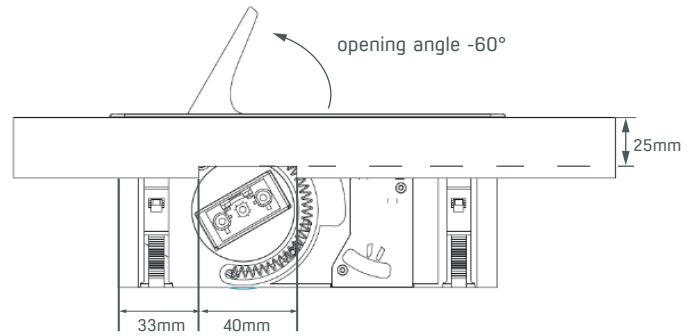
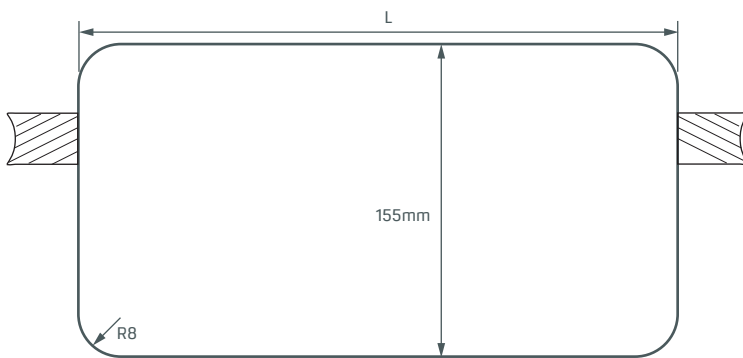
Dimensions



M = Number of Module
*all measurements are in mm


M	A	B	C
2	198	214	191.3
3	251	267	244.3
4	304	320	297.3
5	357	373	350.3
6	410	426	403.3
7	463	479	456.3
8	516	532	509.3

Cut-Out



For side entry of Starter/Connector Cable

M	2	3	4	5	6	7	8
L	192.5	245.5	298.5	351.5	404.5	457.5	510.5

 Chamfered access slot for connectors

Standards and Approvals

Country	Malaysia	Singapore Hong Kong	India	China	Australia New Zealand	Japan	GCC Countries	Indonesia	Korea
Approvals / Test Institute	