



NETBOX Combi Duplex

■ Product Description

NETBOX Combi Duplex is a built-in solution unit which sits flush on its mounted surface. Power and data could be accessed from both sides and could be used even when the lid is closed.

■ Product Specification

- Easy installation
- Plug & Play technology
- Cable exit with brush lips
- Unit sits flush with mounted surface
- Customizable into various configurations with 8 modules (2 units of NETBOX M4)

Consists of 3 parts:

- Double sided cable exit with spring-damped lid
- Metal tray
- 2 units of NETBOX M4

■ Application Range

- Conference Tables
- Boardroom Tables
- Meeting Tables

■ Technical Details

- Rated for 110V to 250V and a maximum of 20A according to country specific standards
- Low concentration of heavy metal
- Material
 - Double sided cable exit: aluminium
 - Metal tray: metal sheet
 - NETBOX: ABS-FR (self-extinguishing according to UL94)
- Wiring: 3 x 1.5mm² standard; 3 x 2.5mm² upon request

Please follow local standards for electrical installation.



A. & H. Meyer GmbH
Leuchten und Büroelektrik

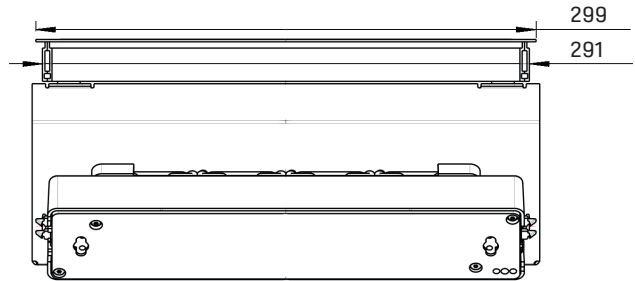
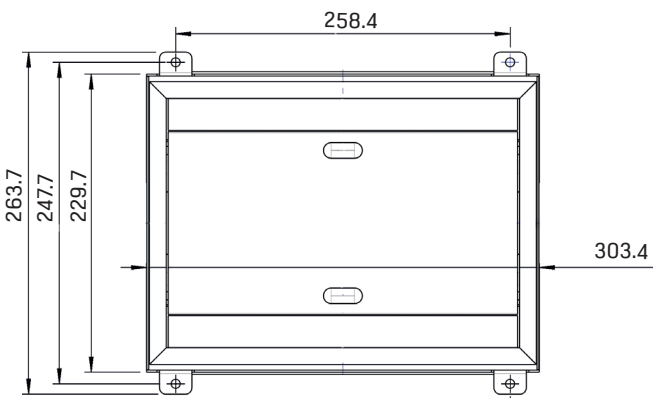
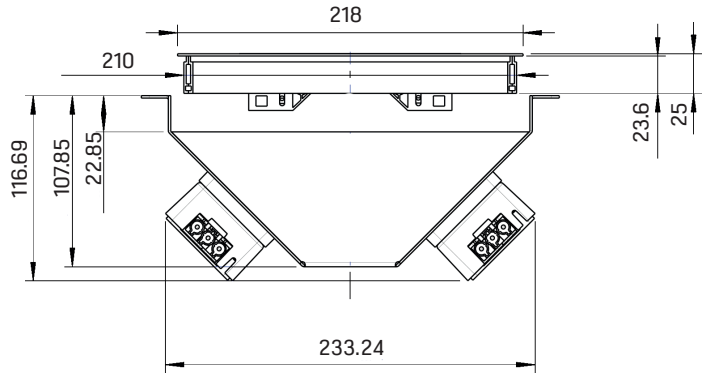
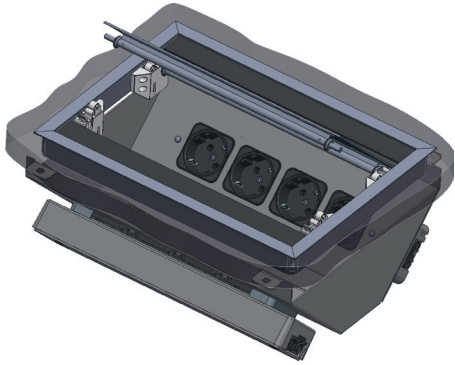
Fermke 8
32694 Dörentrup
Germany

T: +49 5265 9488 0
F: +49 5265 9488 11
www.ah-meyer.de

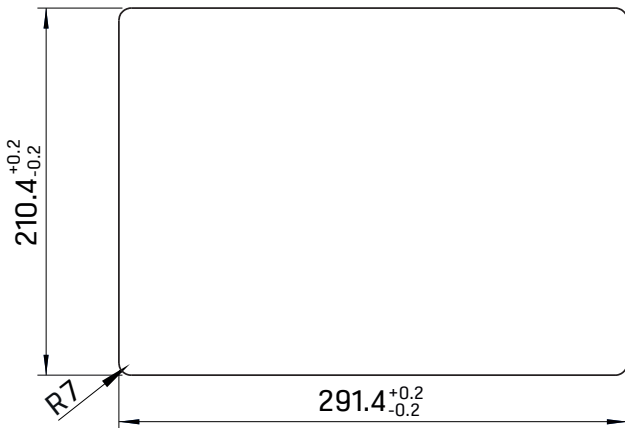
A. & H. Meyer Sdn Bhd
(528797-M)
No. 3, Jalan Astaka U8/84
Section U8, Bukit Jelutong
40150 Shah Alam, Selangor
Malaysia

T: +603 7845 7277
F: +603 7845 2155
sales@ah-meyer.com.my

Dimensions



Cut-Out



Standards and Approvals

Country	Malaysia	Singapore Hong Kong	India	China	Australia New Zealand	Japan	GCC Countries	Indonesia	Korea
Approvals / Test Institute	