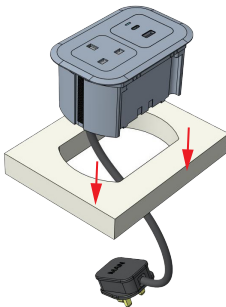


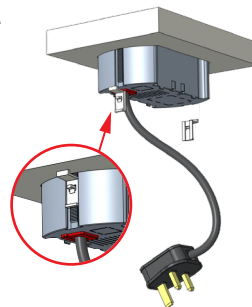
Installation Guide

1.



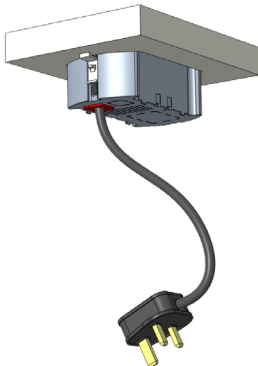
Place the NETBOX Flush into the pre-cut hole.

2.



Secure the NETBOX Flush into position by inserting the 2 NETclips. Ensure the NETclips are pushed until the end.

3.



Secure cable and insert into power source.
NETBOX Flush is ready to use.



NETBOX

Flush

Dimensions



A brand of **Legrand**

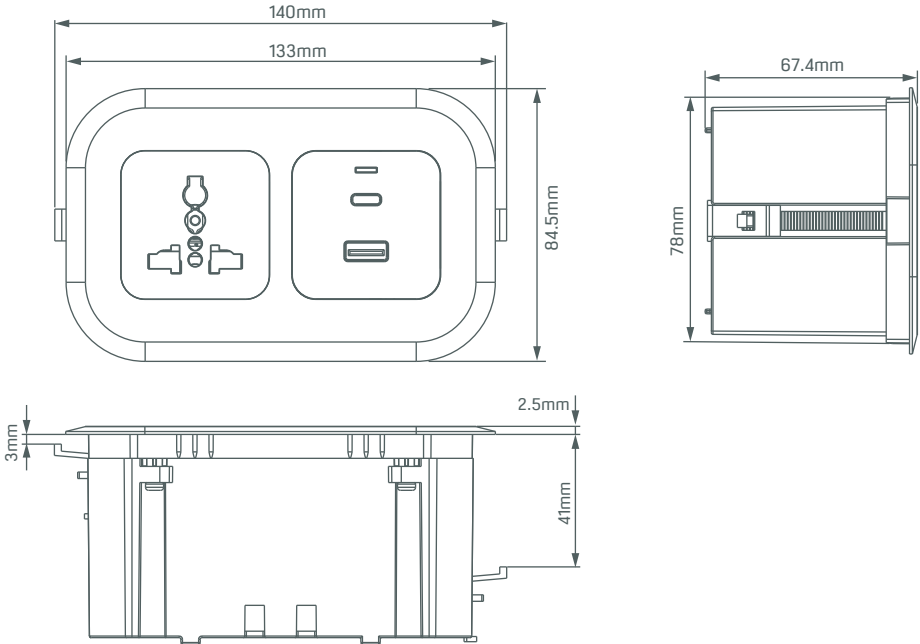
A. & H. Meyer Sdn Bhd (528797-M)

No. 3, Jalan Astaka U8/84
Section U8, Bukit Jelutong
40150 Shah Alam, Selangor
Malaysia

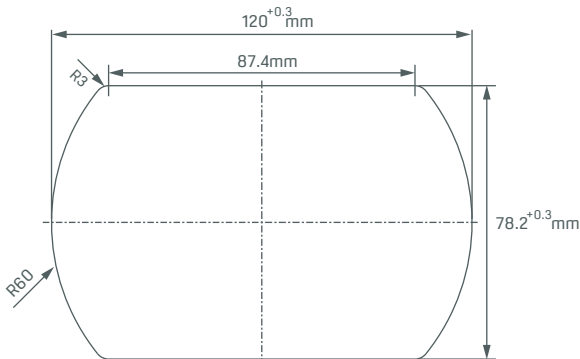
T: +60 3 7845 7277

W: www.ah-meyer.com.my

E: sales@ah-meyer.com.my



Cut Out



For Installation Guide
Please refer to the back.