



NETBOX Combi

■ Product Description

NETBOX Combi is an all-in-one solution built in unit which sits flush on its mounted surface and could be use even when the lid is closed.

■ Product Specification

- Quick installation
- Unit opens at a 90° angle
- Cable outlet with brush lips
- Unit sits flush with mounted surface
- Customizable into various configurations of 4 gangs

Consist of 3 parts:

- High quality flip up cover
- Metal Tray
- NETBOX M4

■ Application Range

- Conference Tables
- Boardroom Tables
- Meeting Tables

■ Technical Details

- Rated for 110V to 250V and a maximum of 20A according to country specific standards
- Low concentration of heavy metal
- Material: PA6-FR
- Wiring: 3 x 1.5mm² standard; 3 x 2.5mm² upon request

Please follow local standards for electrical installation.



A. & H. Meyer GmbH
Leuchten und Büroelektrik

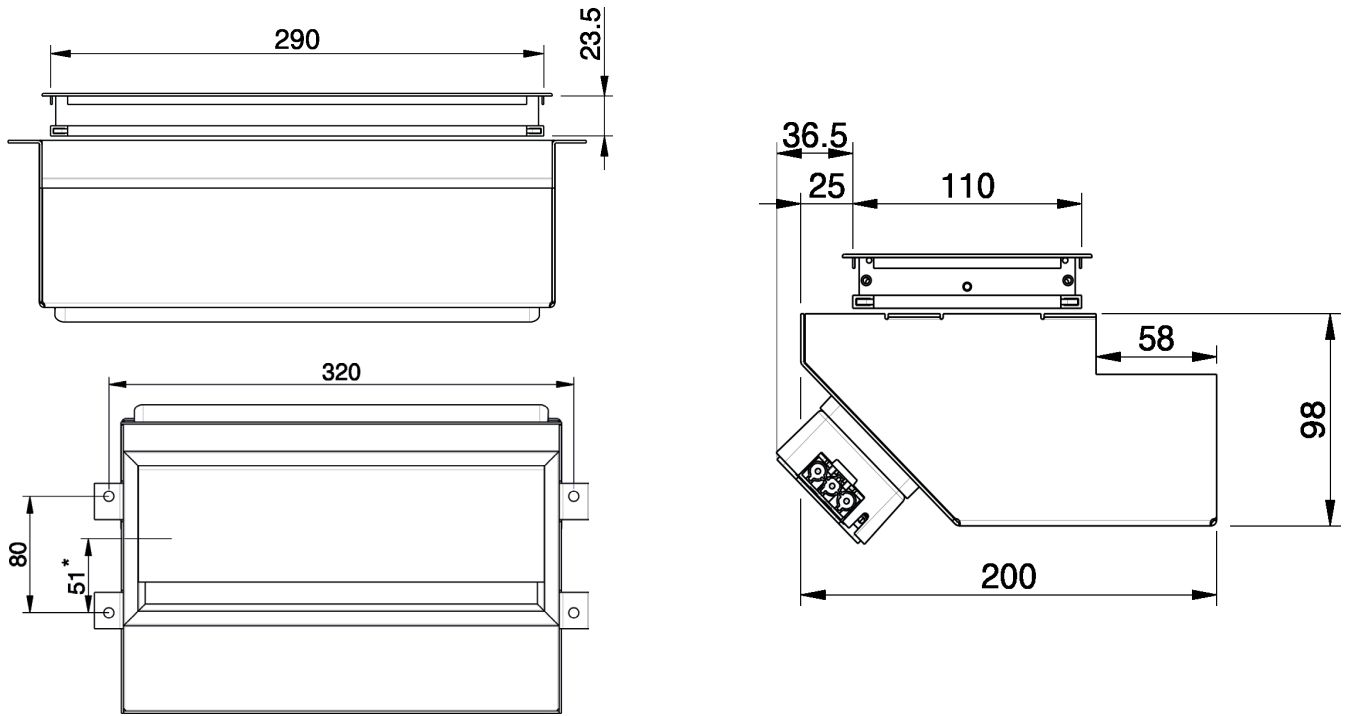
Fermke 8
32694 Dörentrup
Germany

T: +49 5265 9488 0
F: +49 5265 9488 11
www.ah-meyer.de

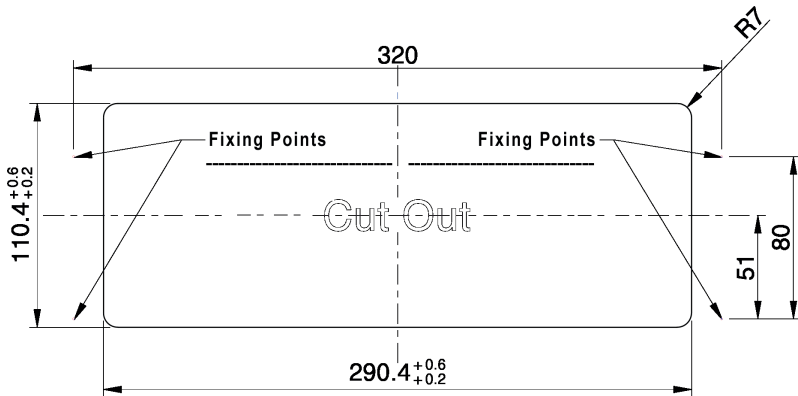
A. & H. Meyer Sdn Bhd
(528797-M)
No. 3, Jalan Astaka U8/84
Section U8, Bukit Jelutong
40150 Shah Alam, Selangor
Malaysia

T: +603 7845 7277
F: +603 7845 2155
sales@ah-meyer.com.my

Dimensions



Cut-Out



Standards and Approvals

Country	Malaysia	Singapore Hong Kong	India	China	Australia New Zealand	Japan	GCC Countries	Indonesia	Korea
Approvals / Test Institute									