



NETBOX Turn Comfort

Product Description

NETBOX Turn Comfort is a built in power, data and multimedia unit in aluminum finish with spring supported mechanism and rotates by pressing the push button.

Product Specification

- Sleek and attractive design
- Unit sits flush with table top surface when retracted
- Opens automatically with a press on the push button at the side, manual rotation for full display of unit
- Customizable into various configurations and lengths
- Accessible from any direction
- Quick and tool-free installation with click-stop mechanism
- Plug & Play technology

Application Range

- Conference Tables
- Boardroom tables
- Meeting Tables

Technical Details

- Rated for 110V to 250V and a maximum of 20A according to country specific standards
- Material: ABS and PA6 in V0 specification (self-extinguishing according to UL94)
- Low concentration of heavy metal
- Aluminium casing is safely grounded to avoid electrocution
- Wiring: 3 x 1.5mm² standard; 3 x 2.5mm² upon request

Please follow local standards for electrical installation.



A. & H. Meyer GmbH
Leuchten und Büroelektrik

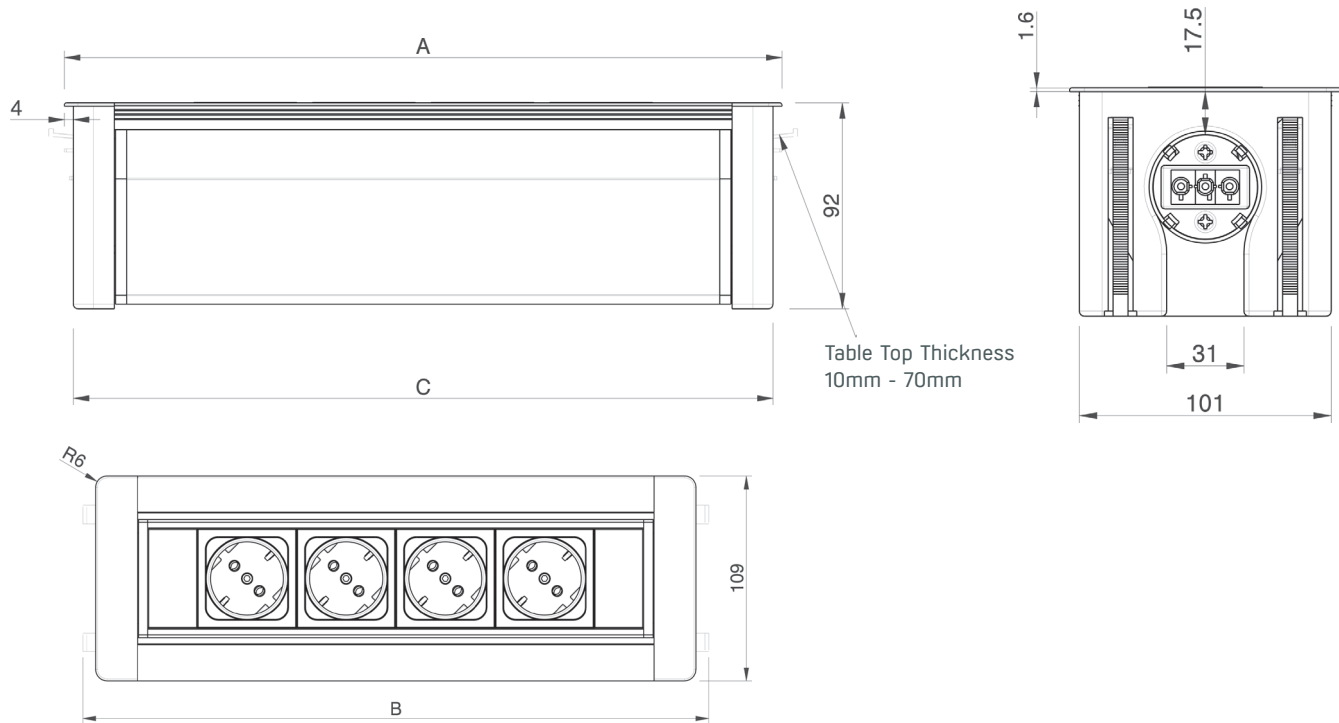
Fermke 8
32694 Dörentrup
Germany

T: +49 5265 9488 0
F: +49 5265 9488 11
www.ah-meyer.de

A. & H. Meyer Sdn Bhd
(528797-M)
No. 3, Jalan Astaka U8/84
Section U8, Bukit Jelutong
40150 Shah Alam, Selangor
Malaysia

T: +603 7845 7277
F: +603 7845 2155
sales@ah-meyer.com.my

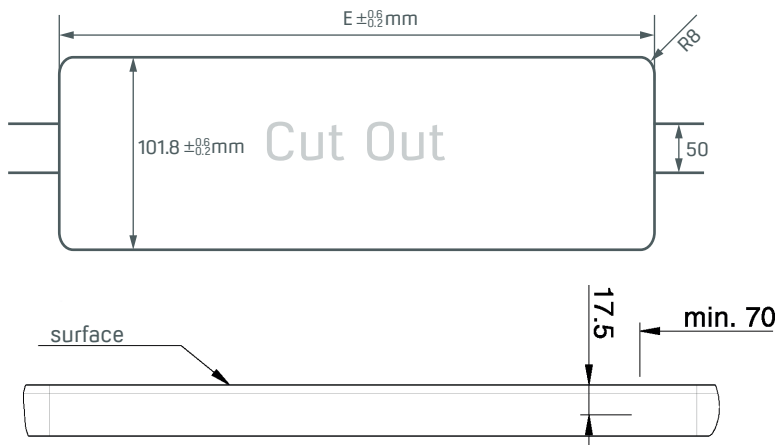
Dimensions



M	2	3	4	5	6	7	8	9	10
A	214.6	267.6	320.6	373.6	426.6	479.6	532.6	585.6	638.6
B	228.5	281.5	334.5	387.5	440.5	493.5	546.5	599.5	652.5
C	206.6	259.6	312.6	365.6	418.6	471.6	524.6	577.6	630.6
D	159	212	265	318	371	424	477	530	583
E	207	260	313	366	419	472	525	578	631

M = Number of Outlet Modules
 A = Total Product Length
 B = Total Product Length with Mounting Clips
 C = Installation Length
 D = Total Profile Length
 E = Total Cut Out Length

Cut-Out



Standards and Approvals

Country	Malaysia	Singapore Hong Kong	India	China	Australia New Zealand	Japan	GCC Countries	Indonesia	Korea
Approvals / Test Institute	