



NETBOX Flush

Product Specification

NETBOX Flush is a built-in unit with dual module of your choice. Designed to blend with any environment seamlessly, the NETBOX Flush sits flush with your workspace surface. It features a rounded edge and aesthetic contemporary look.

Product Description

- Fitted with two modules of your choice
- Comes with built in starter cable
- Minimalist and sleek design
- Quick and tool-free installation with click-stop mechanism
- Plug & Play technology

Application Range

- Training Tables
- Collaborative Areas
- Airport Lounge
- Reception Desks
- Hotel Rooms

Technical Details

- Rated for 110V to 250V and a maximum of 20A according to country specific standards
- Low concentration of heavy metal
- Material: PA-FR (self-extinguishing according to UL94)
- Wiring: 3 x 1.5mm² standard; 3 x 2.5mm² upon request

Please follow local standards for electrical installation.

A. & H. Meyer GmbH
Leuchten und Büroelektrik

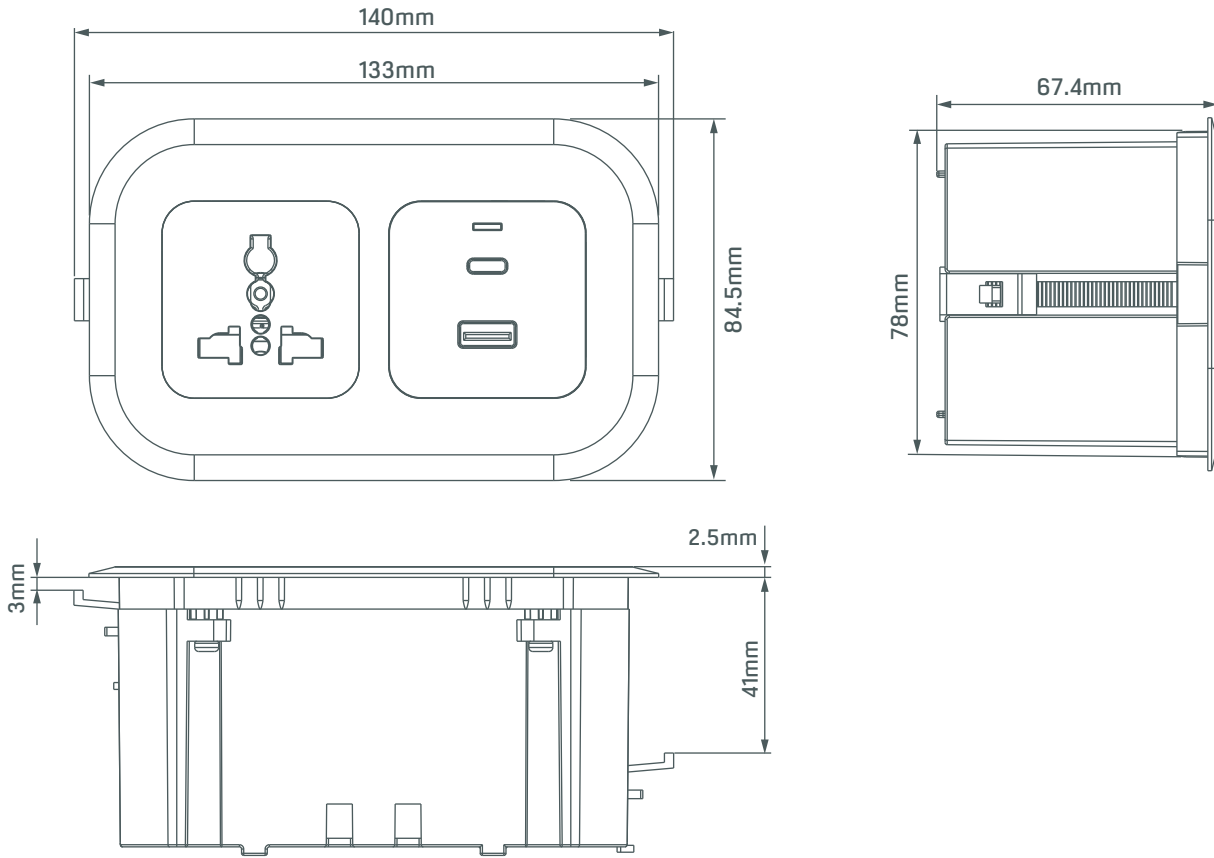
Fermke 8
32694 Dörentrup
Germany

T: +49 5265 9488 0
E: info@ah-meyer.de
W: www.ah-meyer.de

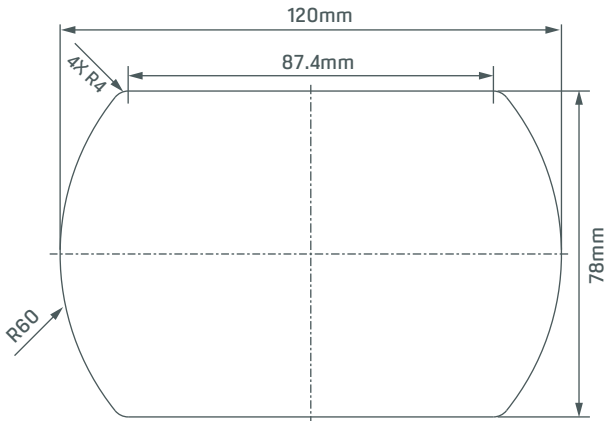
A. & H. Meyer Sdn Bhd
(528797-M)
No. 3, Jalan Astaka U8/84
Section U8, Bukit Jelutong
40150 Shah Alam, Selangor
Malaysia

T: +603 7845 7277
E: sales@ah-meyer.com.my
W: www.ah-meyer.com.my

Dimensions



Cut Out



Standards and Approvals

Country	Malaysia	India	Japan
Approvals / Test Institute			