



## NETBOX M3

### ■ Product Description

NETBOX M3 is a standard power, data and multimedia unit in plastic finish which comes fitted with detachable frame.

### ■ Product Specification

- Functional and cost efficient
- Standard model for power, voice and data transmission
- Several NETBOX M can be interconnected using connector cables
- Can be installed and mounted on any given surface or concealed within partitions and cable trays
- Plug & Play technology

### ■ Application Range

- Workstations
- Cable Trays
- Panel Systems
- Home Office

### ■ Technical Details

- Rated for 110 to 250V, and up to a maximum of 20A
- Material: ABS-FR
- Wiring: 3 x 1.5mm<sup>2</sup> standard; 3 x 2.5mm<sup>2</sup> upon request

Please follow local standards for electrical installation.

**A. & H. Meyer GmbH**  
Leuchten und Büroelektrik

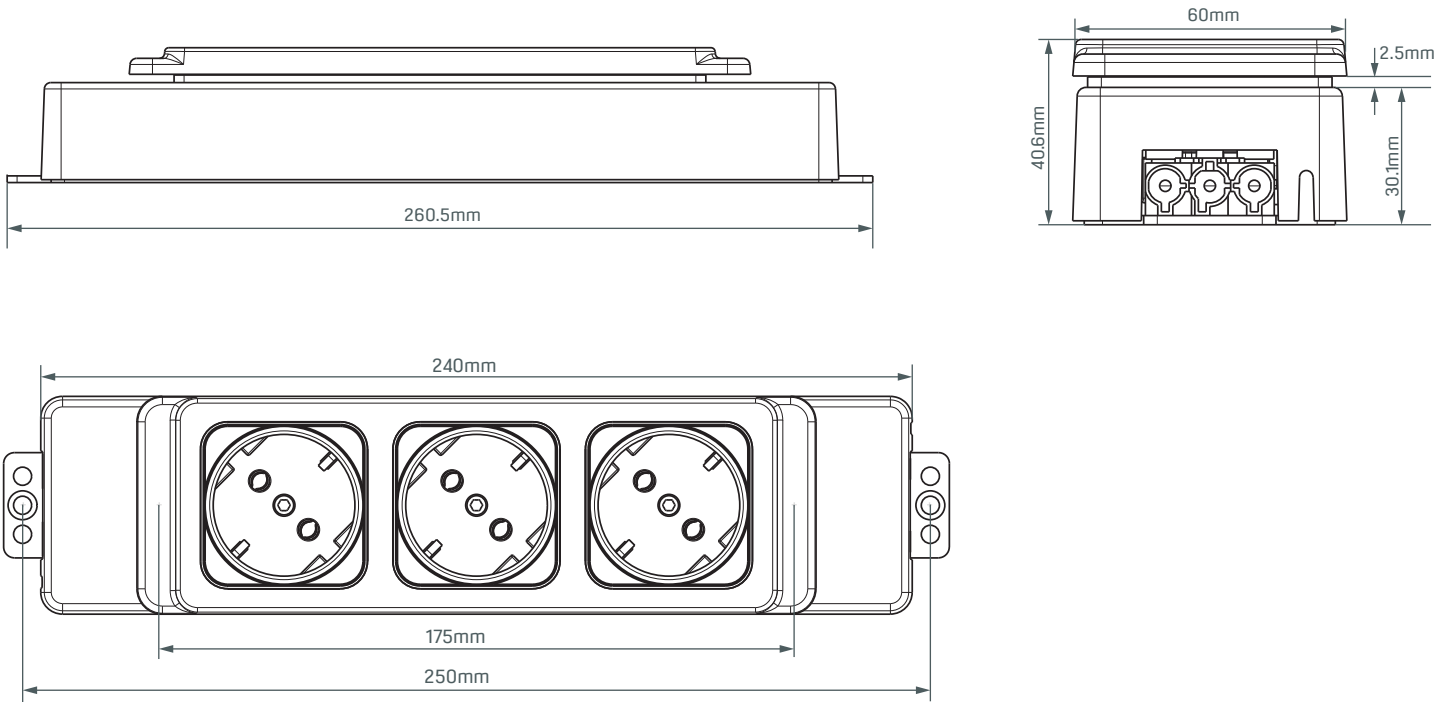
Fermke 8  
32694 Dörentrup  
Germany

T: +49 5265 9488 0  
F: +49 5265 9488 11  
www.ah-meyer.de

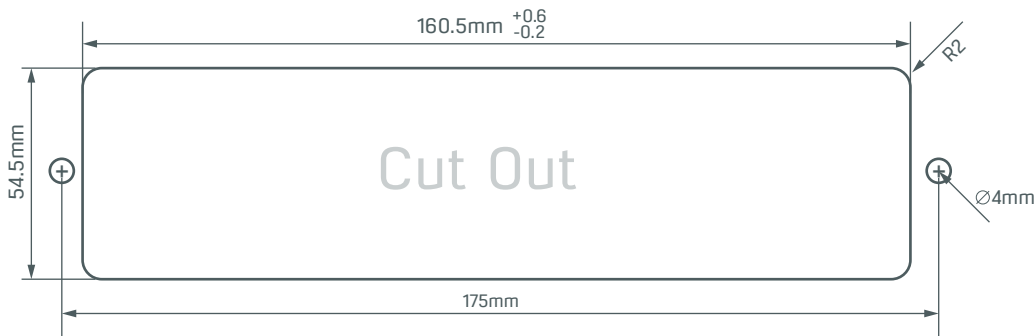
**A. & H. Meyer Sdn Bhd**  
(528797-M)  
No. 3, Jalan Astaka U8/84  
Section U8, Bukit Jelutong  
40150 Shah Alam, Selangor  
Malaysia

T: +603 7845 7277  
F: +603 7845 2155  
sales@ah-meyer.com.my

### Dimensions



### Cut Out



### Standards and Approvals

Country	Malaysia	Singapore Hong Kong	India	China	Australia New Zealand	Japan	GCC Countries	Indonesia	Korea
Approvals / Test Institute									