



NETBOX M1

■ Product Description

NETBOX M1 is a standard power, data or multimedia unit with a plastic casing. It comes with a detachable frame, any of our 250 modules can be integrated into this box. The unit is fitted as a standard with a 200mm cable and a male GST 18/3 connector but can be fitted with any other cable upon request. NETBOX M1 is highly suitable for phone booths and lounge furniture. It is able to be flush mounted on metal surfaces up to 2mm or surface mounted on metal trays.

■ Product Specification

- Standard model for power, data or multimedia solution
- Fits any module
- Fixed termination on connector or starter cable possible
- Option: unit can be interconnected (daisy chained) using connector cables upon request
- Mounting option:
 - Flush mounting (metal or partitions)
 - Surface mounting (place on cable trays)

■ Application Range

- Lounge Furniture
- Phone Booths
- Workstations
- Panel Systems
- Home Office
- Cable Tray

■ Technical Details

- Rated for 110 to 250V, and up to a maximum of 20A
- Material: ABS-FR
- Wiring: 3 x 1.5mm² standard; 3 x 2.5mm² upon request

Please follow local standards for electrical installation.

A. & H. Meyer GmbH
Leuchten und Büroelektrik

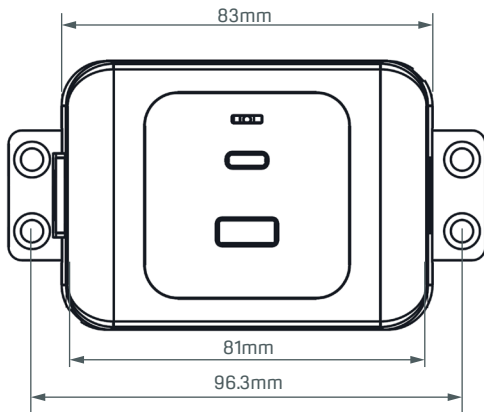
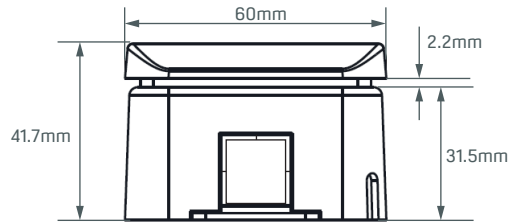
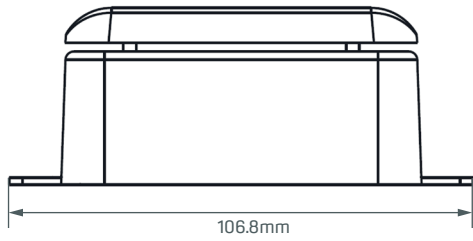
Fermke 8
32694 Dörentrup
Germany

T: +49 5265 9488 0
F: +49 5265 9488 11
www.ah-meyer.de

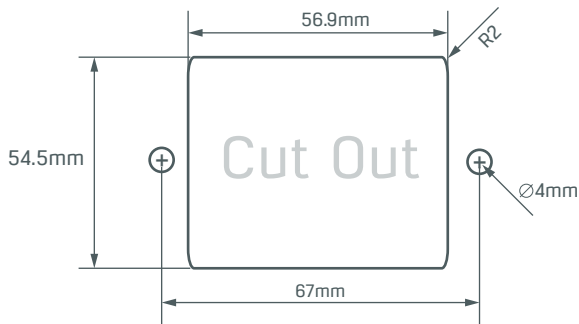
A. & H. Meyer Sdn Bhd
(528797-M)
No. 3, Jalan Astaka U8/84
Section U8, Bukit Jelutong
40150 Shah Alam, Selangor
Malaysia

T: +603 7845 7277
F: +603 7845 2155
sales@ah-meyer.com.my

Dimensions



Cut Out



Standards and Approvals

Country	Malaysia	Singapore Hong Kong	India	China	Australia New Zealand	Japan	GCC Countries	Indonesia
Approvals / Test Institute								